

RoHS Compliant Product
A suffix of "-C" specifies halogen & lead-free

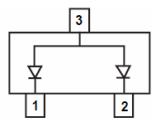
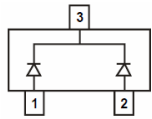
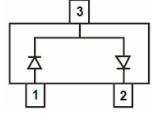
FEATURES

- Fast Switching Speed
- For General Purpose Switching Applications
- High Conductance

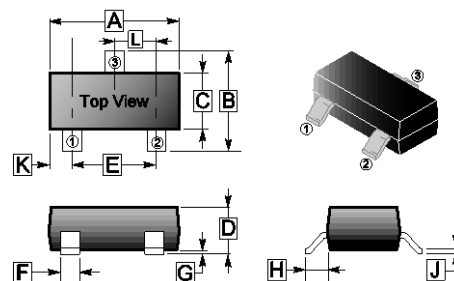
PACKAGE INFORMATION

Package	MPQ	Leader Size
SOT-23	3K	7 inch

ORDER INFORMATION

Part Number	Equivalent Circuit	Marking
BAV23A-C		KT7
BAV23C-C		KT6
BAV23S-C		KL31

SOT-23



REF.	Millimeter		REF.	Millimeter	
	Min.	Max.		Min.	Max.
A	2.65	3.10	G	0	0.18
B	2.10	3.00	H	0.55	REF.
C	1.10	1.80	J	0.08	0.26
D	0.89	1.40	K	0.60	REF.
E	1.70	2.30	L	0.95	TYP.
F	0.30	0.55			

ABSOLUTE MAXIMUM RATINGS (T_A=25°C unless otherwise specified)

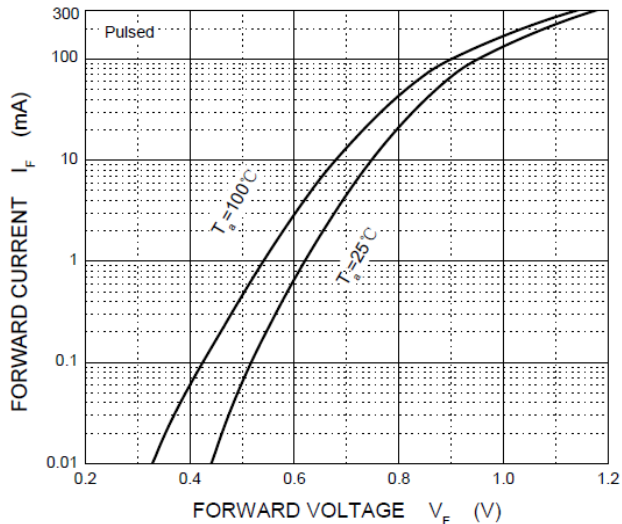
Parameter	Symbol	Ratings	Unit
Peak Repetitive Peak Reverse Voltage	V _{RRM}	250	V
Working Peak Reverse Voltage	V _{RWM}	250	
RMS Reverse Voltage	V _R	175	
Average Rectified Output Current	I _O	225	mA
Non-Repetitive Peak Forward Surge Current @t=8.3ms	I _{FSM}	1.7	A
Power Dissipation	P _D	350	mW
Thermal Resistance Junction-Ambient	R _{θJA}	357	°C/W
Operating Junction & Storage Temperature Range	T _J , T _{STG}	-55~150	°C

ELECTRICAL CHARACTERISTICS (T_A=25°C unless otherwise specified)

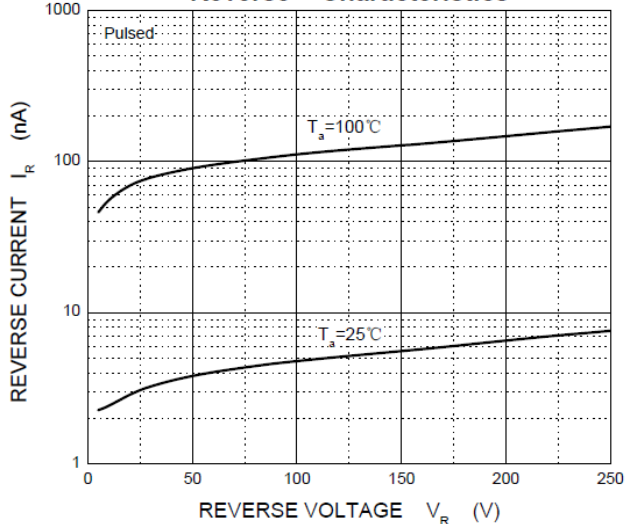
Parameters	Symbol	Min.	Typ.	Max.	Unit	Test Conditions
Reverse Breakdown Voltage	V _(BR)	250	-	-	V	I _R =100μA
Reverse Voltage Leakage Current	I _R	-	-	0.1	μA	V _R =250V
Forward Voltage	V _F	-	-	1	V	I _F =100mA
		-	-	1.25		I _F =200mA
Total Capacitance	C _T	-	5	-	pF	V _R =0, f=MHz
Reverse Recovery Time	t _{RR}	-	50	-	nS	I _F =I _R =30mA, I _{tr} =0.1×I _R , R _L =100Ω

RATINGS AND CHARACTERISTIC CURVES

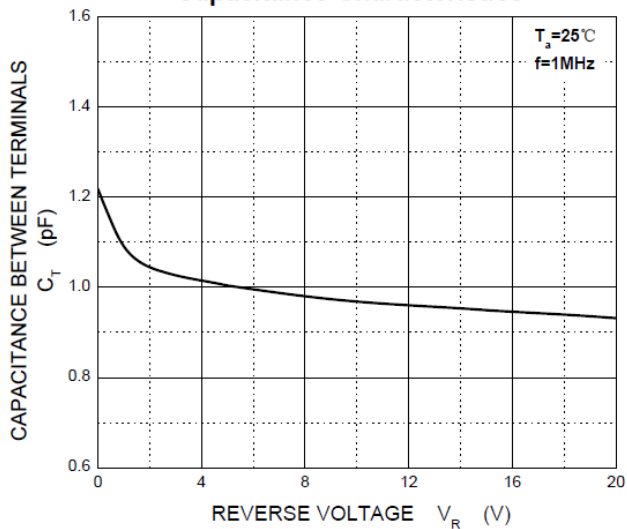
Forward Characteristics



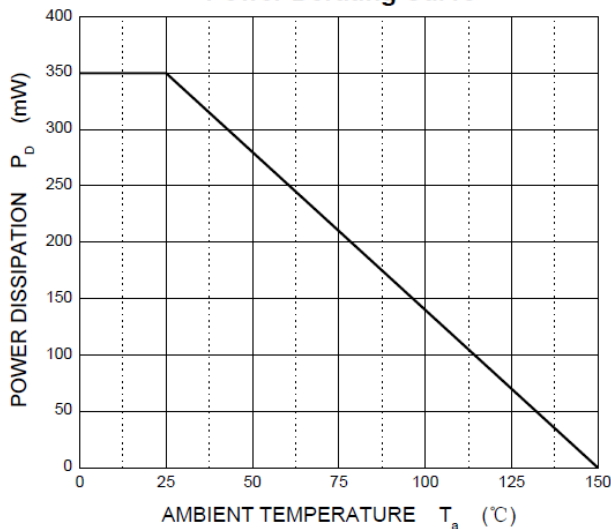
Reverse Characteristics



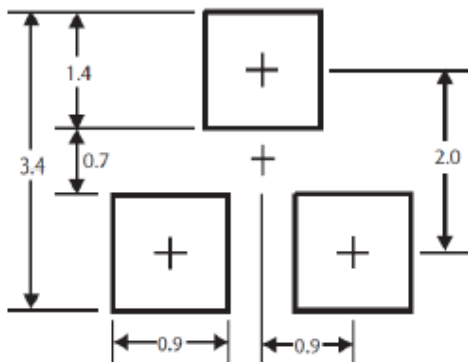
Capacitance Characteristics



Power Derating Curve



Mounting Pad Layout



*Dimensions in millimeters